

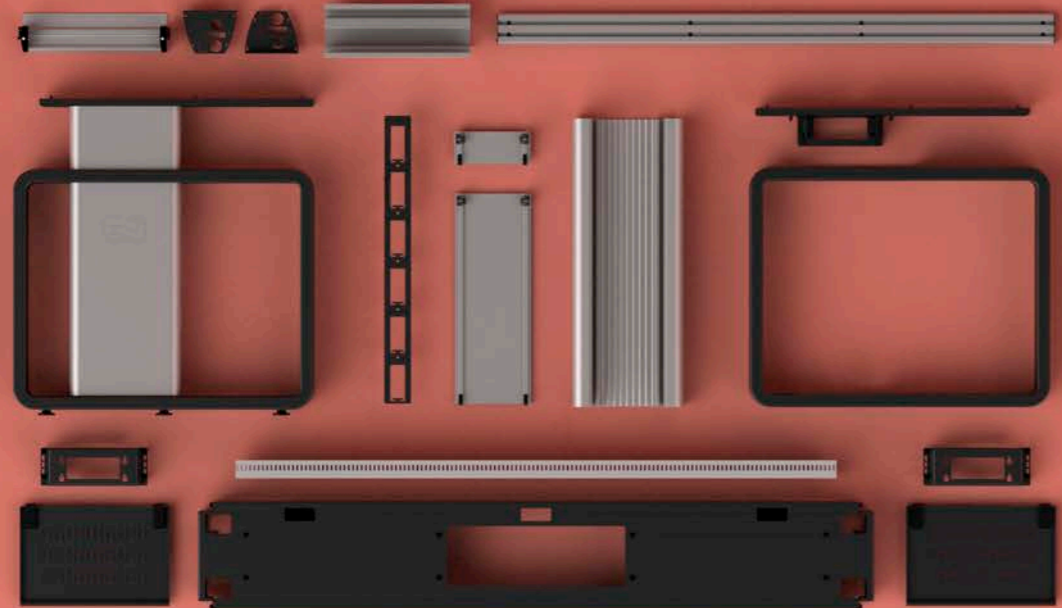
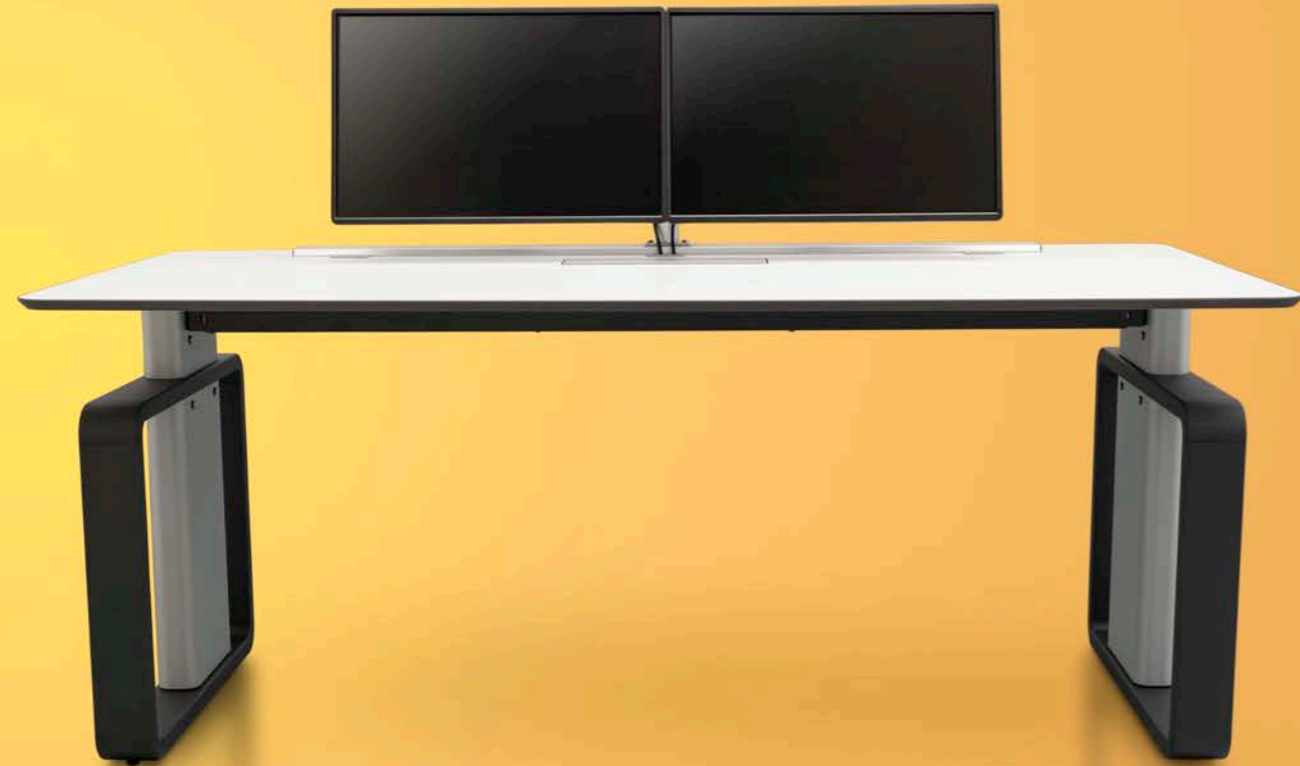
(air)





## Advantis Air

GESAB has developed the new Advantis Air, condensing 30 years of experience and knowledge in the design of technical furniture in a minimalist, dynamic control console adapted to the new era of control centers.



## Space. Lightness. Minimalism

The concept of Advantis Air is to reduce the amount of parts, reduce complexity, reduce waste, and reduce cost while maintaining the quality that has led GESAB to be a world reference.

# Complex simplicity

Unify in a single console experience, design, simplicity and quality. That has been the challenge undertaken by GESAB. Advantis Air has been the result.





## Increase your capacity

Expand the capacity of installed equipment without changing the console structure by adding cabinets of different sizes.

# Cable Management Bridge

The entire cable management and connection system has been designed to maximize installation and maintenance tasks.

Protected, hidden and accessible to guarantee a unique operator experience.





## Outstanding robustness

The strength of the design, materials and manufacturing method of Advantis Air consolidate it as a control console prepared for the most demanding challenges.



# Improving people's health

Advantis Air is not only certified with the UNE-EN 527 standard on workplace ergonomics, but also provides an integral improvement in the operator's working position and, therefore, in his health and productivity.



More active and energetic



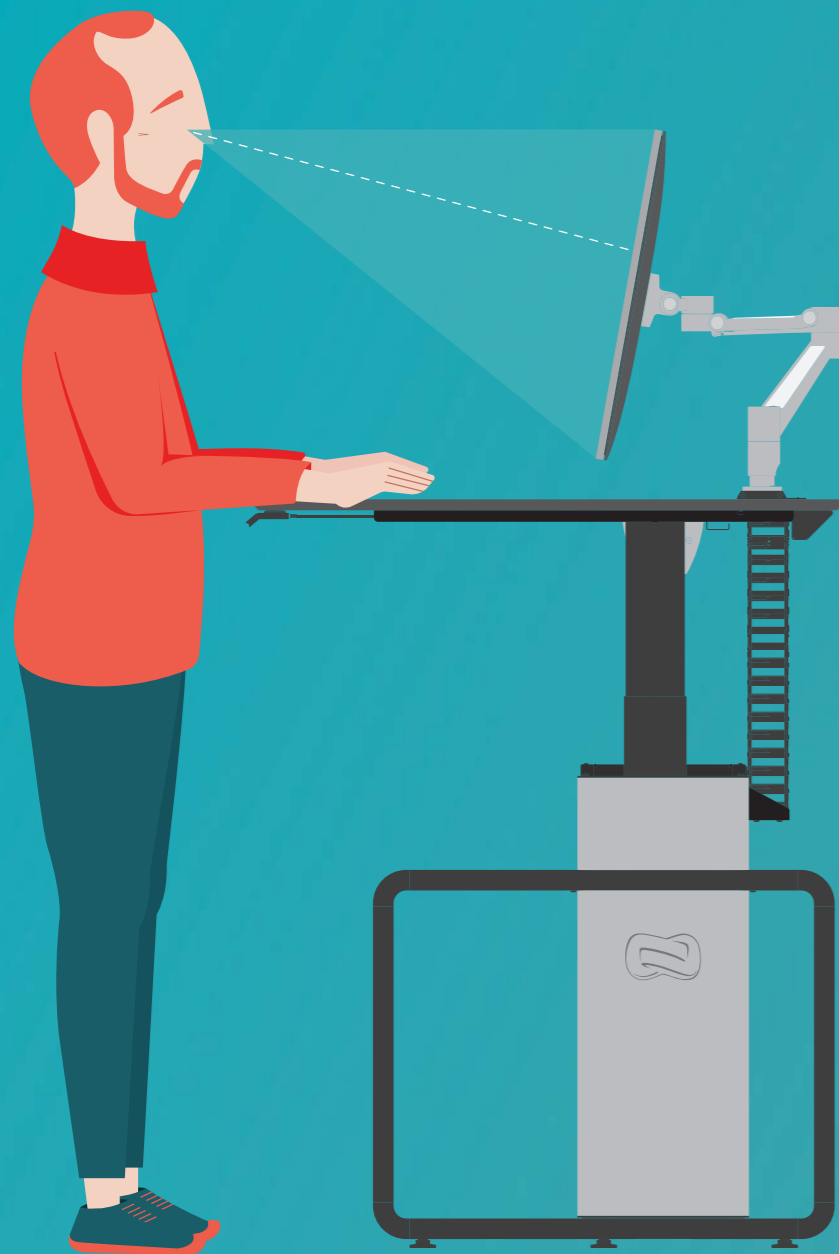
Higher productivity and concentration



More agile



Less stress

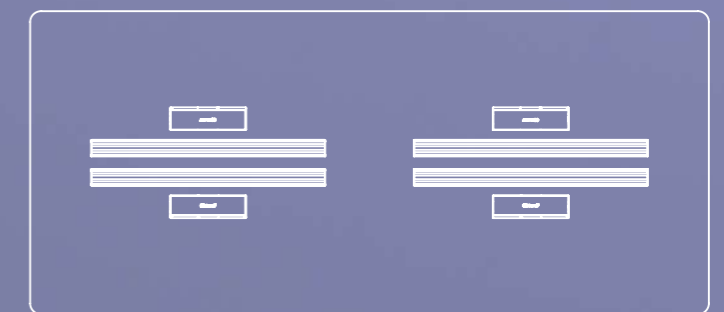
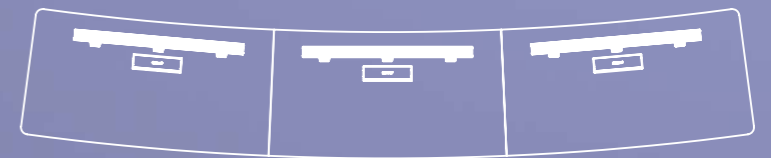
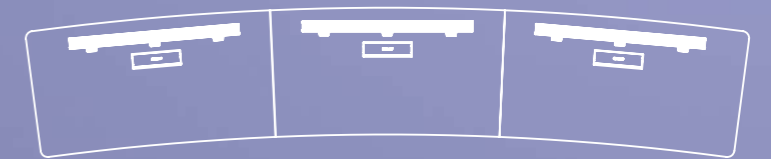




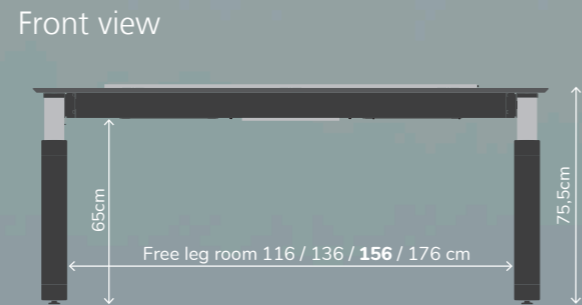
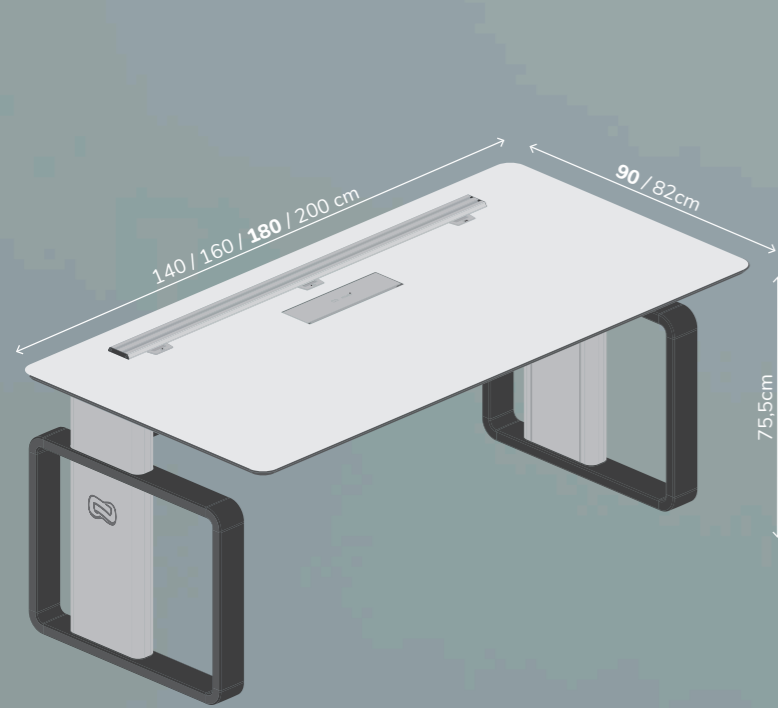


# Simply versatile

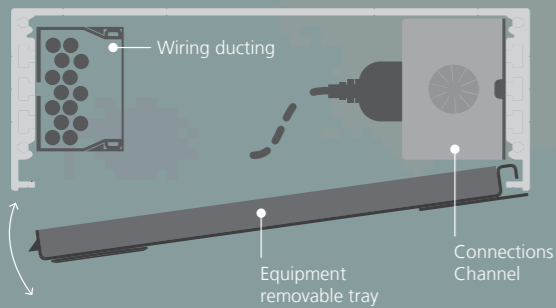
The new Advantis Air allows you to design control consoles of different sizes, configurations, straight, curve, double-sided, height adjustable and meeting tables.



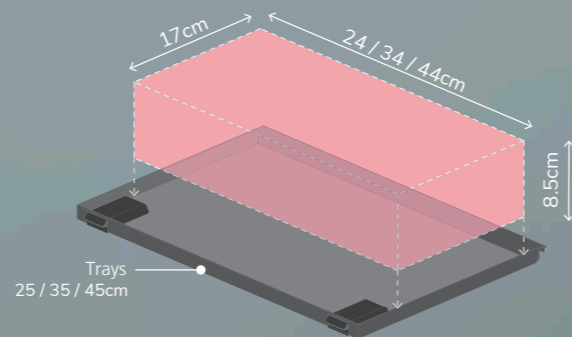
# Dimensions and technical features



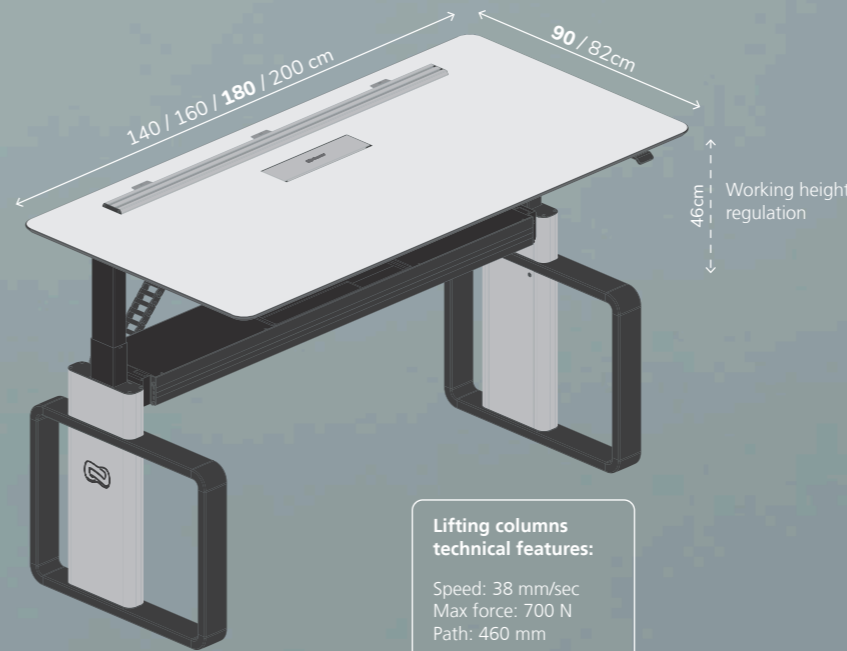
## Beam internal distribution scheme:



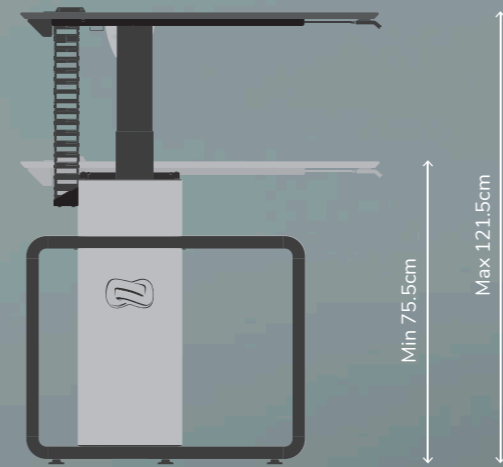
## Maximum space for trays equipment



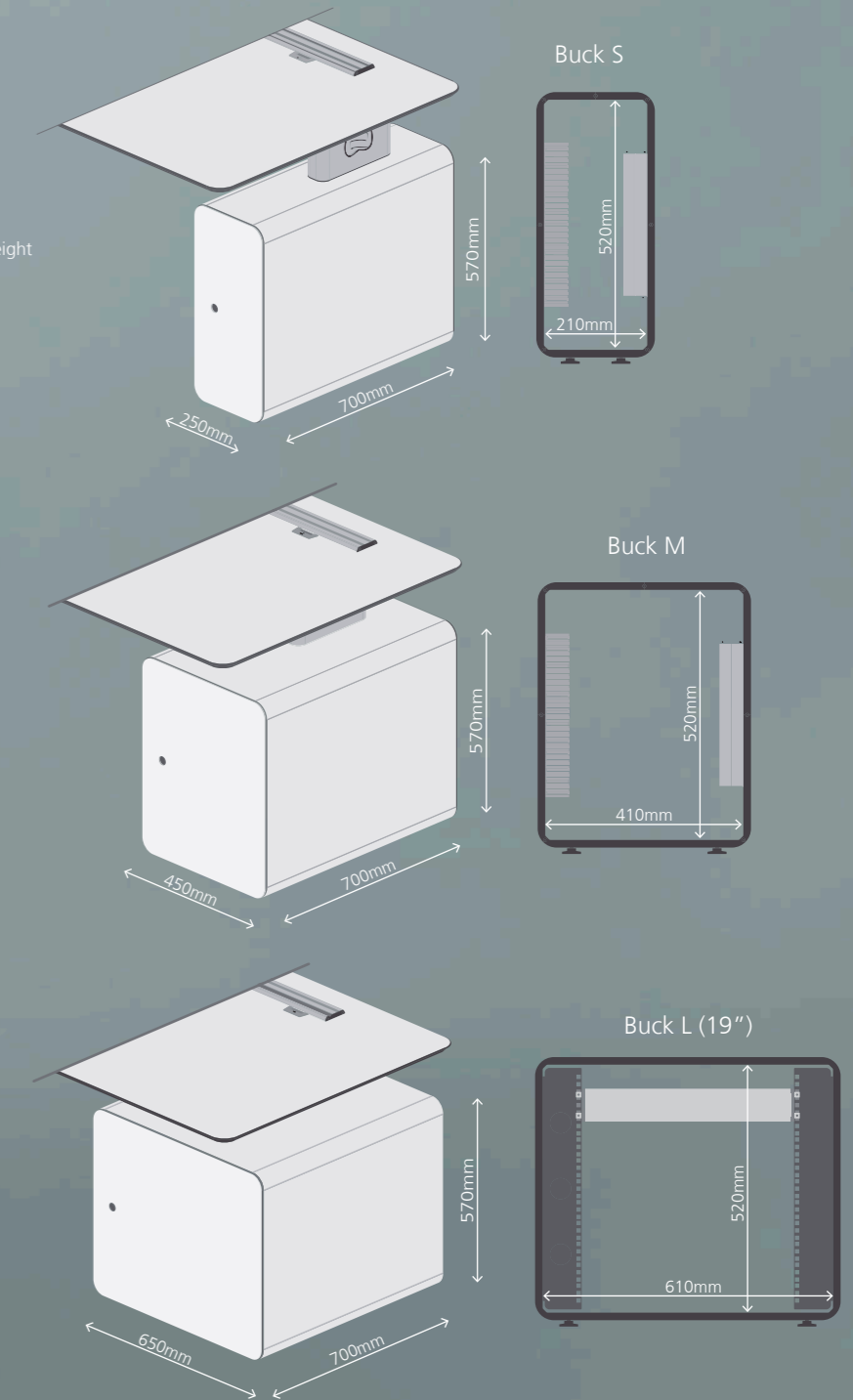
## Scheme and measures Sit & Stand models



**Lifting columns technical features:**  
Speed: 38 mm/sec  
Max force: 700 N  
Path: 460 mm



## Scheme and measures Buck technical compartments:



The minimal expression of perfection





Air GESAB